





Mariner LPG Cylinders

For domestic & leisure use



- Retains its appearance
- No chipping paint or rust
- Longer life due to better corrosion resistance
- Rubber base to protect decking and other surfaces
- No internal scale to contaminate LPG fuel systems

The Mariner Cylinder is specifically designed for marine use, for cooking, lighting and heating. It is also ideal for everyday domestic and leisure use.

The cylinder is manufactured from 316L stainless steel to counteract marine corrosion. The design is approved in Victoria and by other Statutory authorities in Australia.

The Vessels are constructed in accordance with the requirements of AS2971 for material, design and testing. The HSP09 design range incorporates a rubber base which absorbs shock and minimises damage to decking and other surfaces. The HSP10 series made to AS2470 comes with a stainless steel base ring. The vessels are ELECTRO-POLISHED to enhance appearance and corrosion resistance.

Stock items

Item #	Kg's of Gas	Kg's Tare	Water Capacity Ltrs	Cylinder Diameter	Cylinder Height
HSP0903	1.3	2.8	3.0	224mm	225mm
HSP0906	2.5	3.8	6.0	224mm	310mm
HSP0908	3.4	4.4	8.5	224mm	370mm
HSP0911	4.5	5.2	11.3	224mm	450mm
HSP0914	5.8	6.0	14.5	224mm	540mm
HSP1023*	9.0	8.0	23.0	318mm	485mm
HSP1026*	10.0	8.4	26.4	318mm	525mm

Please note: Cylinders require retesting every 10 years. For sales and technical enquiries contact: Our Office *Cylinders built to order





Dosing Pots

For closed circulating systems



- Floor or wall mounted
- Designed & manufactured to AS1210
- Custom designs, sizes & materials also available

Specifications below are based on grade 304 stainless steel and stainless steel overflow. All other sizes are made to order. All sizes made to order in grade 316 stainless steel. Higher pressure ratings are available.

Stock items

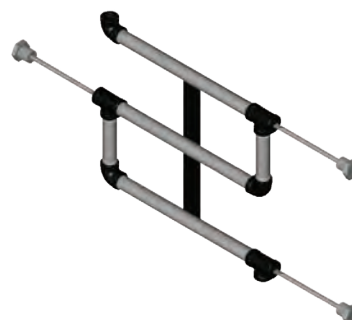
Item #	Description	Diameter x Nominal Height	Weight unfilled	Standard Pressure & Temperature
DPA0614	14LT Dosing Pot	216mm x 915mm	6.7 Kg	1MPa at 99°C

Made to order

Item #	Description	Diameter x Nominal Height	Weight unfilled	Standard Pressure & Temperature
DPA0607	7LT Dosing Pot	216mm x 740mm	5.2 Kg	1MPa at 99°C
DPA0615	15LT Dosing Pot	216mm x 970mm	6.7 Kg	1MPa at 99°C
DPA0620	20LT Dosing Pot	216mm x 1100mm	8.2 Kg	1MPa at 99°C
DPA0625	25LT Dosing Pot	216mm x 1230mm	9.3 Kg	1MPa at 99°C
DPB0640	40LT Dosing Pot	318mm x 1090mm	12.3 Kg	1MPa at 99°C
DPB0645	45LT Dosing Pot	318mm x 1145mm	13.1 Kg	1MPa at 99°C

We also build corrosion coupons & racks

Item #	Pipe Diameter	Description	Dimensions
HCM0500	3/4"	2 port corrosion coupon rack	450 x 220
HCM0510	3/4"	3 port corrosion coupon rack	450 x 380





Fire Extinguishers

Cylinder fabrication



Fire suppression system cylinders



STPV manufactures a range of large capacity fire extinguisher pressure vessels used in mining, marine and forestry vehicle foam & water mist fire suppression systems. The fire extinguisher cylinders are powder coated in signal red and blue options (although available in any colour) and form the back bone of the proprietary fire suppression systems across Australia and overseas.

The cylinders are a serially produced vessel to AS3509 enabling a low cost structure and are approved with all statutory authorities in Australia and many overseas jurisdictions. Standard sizes are 45L, 65L, 80L, 106L although they can also be manufactured in a custom options to suit the specific fire suppression system. The cylinders are manufactured from temper rolled stainless steel grade 304, a lighter weight option to thicker stainless materials. All cylinders are tested in accordance with AS2030 & AS2337.

- **Temper rolled Stainless Steel**
- **Designed to AS3509**
- **Custom fittings available to suit different systems**



Post Mix Cylinders

For low pressure applications

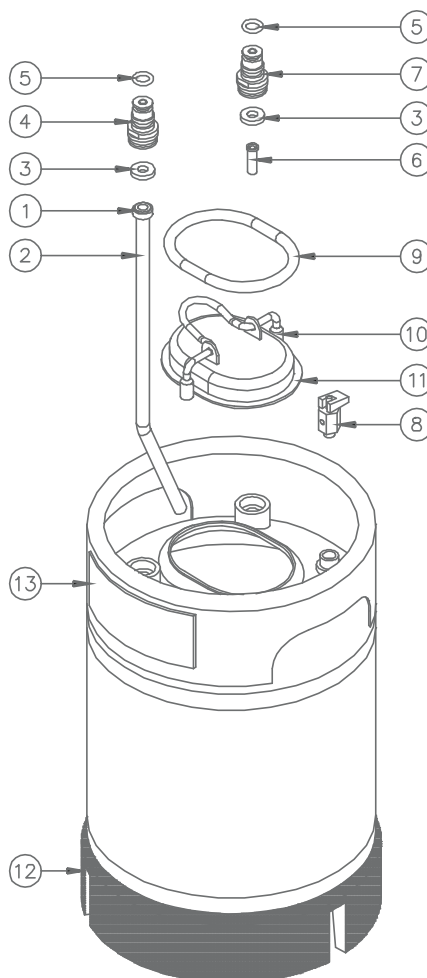


Postmix Kegs

Postmix kegs are a versatile vessel for low pressure applications (design pressure 120psi). Originally designed for beverage systems, they are perfect for home brewing.

These competitively priced stainless steel cylinders are available in the sizes listed below or can be tailor made to individual requirements. They have a large port on top for easy access and a sturdy rubber or steel base making them a convenient, hygienic vessel for a variety of uses including crop spraying and storing compressed air.

We also stock an extensive range of spare parts to suit postmix kegs including 'o' rings, gaskets, plugs, fittings, pressure release devices, port covers and bases.



1. Dip tube gasket
2. Dip tube
3. Polyurethane washer
4. Ball lock liquid plug
5. Gas/liquid plug 'o' ring
6. Level Tube
7. Ball lock gas plug
8. Pressure relief valve
9. Bail Cover 'o' ring seal
10. Bail foot Cap
11. Cover bail assembly
12. Moulded rubber base
13. Data plate





Custom Made Stainless steel tanks & vessels

Production Capabilities

Stainless Tanks & Pressure Vessels have available the following equipment and processes to assist in the manufacture of stainless pressure equipment to customers requirements:

- water treatment
- beverage systems
- air receivers
- chemical storage
- food processing
- vacuum chambers
- reaction vessels
- "one-off" custom plant



We fabricate to your requirements - all vessels built to the appropriate Australian Standards.

We utilise our stock designs where appropriate to offer the fastest possible delivery within Australia or to anywhere in the world. Stainless Tanks & Pressure Vessels is an Australian company specialising in the design and fabrication of high quality stainless steel cylinders.

These vessels range in size from 1 to 5,000 litres in various grades of stainless steel and are manufactured to your requirements

in accordance with Australian Standards AS1210, AS3509 and AS2470 and other codes.

All work is completed by qualified personnel as part of our quality assurance plan. Surface finishes are available to your requirements.





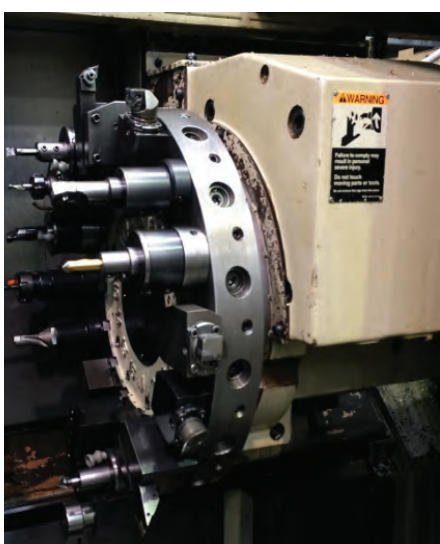
Our Technology

New & traditional machinery

Our equipment

STPV uses its engineering and manufacturing knowledge and industry experience to design and fabricate stainless steel high quality pressure vessels to Australian standards including (but not limited to) AS1210, AS2470, AS2971 and AS3509.

- X-ray equipment
- CNC machining centre
- robotic welding
- mig and tig welding
- hydrostatic testing
- guillotining
- rolling (up to 3 metres)
- 400 tonne press
- 40 & 60 tonne presses
- 110 tonne brake press
- Turret punching



STPV has an extensive range of manufacturing machinery and welding equipment. A press shop including a 400 tonne Kleen press produces standard components. A CNC lathe machining centre allows for customised fittings. The welding department with TIG, MIG and robotic welding options are just some of the capabilities at STPV.

Our stock designs and flexibility allows us to keep production lead times to a minimum. STPV is a licensed Gas Test Station for the periodical life testing of LPG and similar cylinders. STPV Hydrostatic tests all cylinders in accordance with AS2030 & AS2337 and does provide piece of mind to the customer that their pressure vessel is fully approved and fit for purpose.





Stainless Tanks & Pressure Vessels Pty Ltd
130-140 Merrindale Drive, Croydon South VIC 3136
Phone: +61 3 9751 7744
Fax: +61 3 9751 7755

info@stainlesstanks.com.au
www.stainlesstanks.com.au

